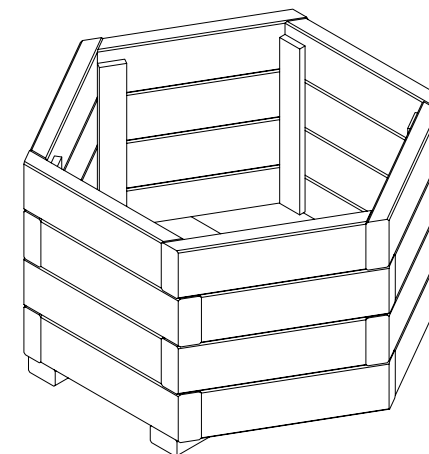
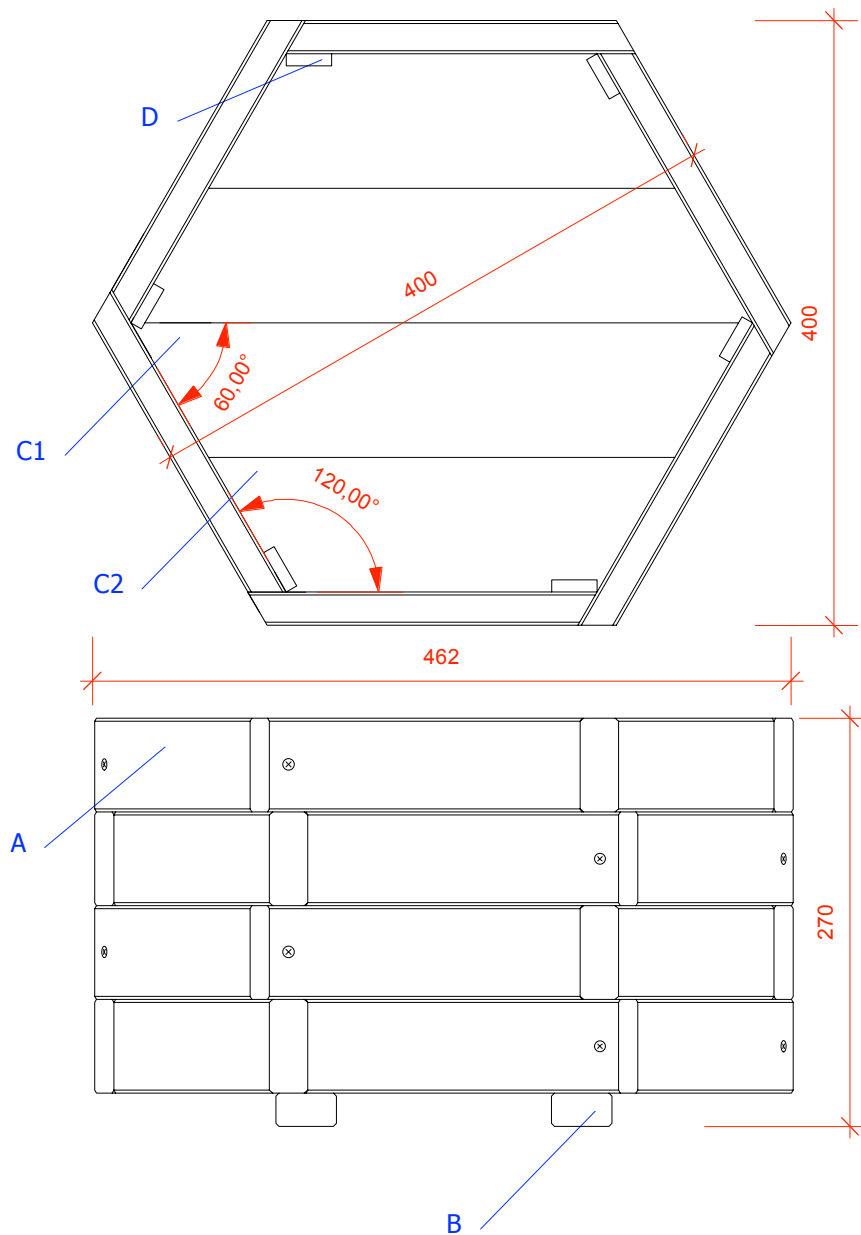


S7281



A :22x62x231	#24
B :22x40x395	#2
C1:14x89x411	#2
C2:14x89x308	#2
D :8x30x215	#6
galvanized screws 3.5x50	#28
staples B/C	#24
staples D/A	#48

Scale : 1:5

Signature :